

# EXPOSURE MARINE

**VESSEL LIGHTING BROCHURE**



Introducing Exposure Marine's innovative vessel lighting solutions, the series of high-power LED lights are designed to operate efficiently within a voltage range of 9V to 31V, these versatile lights offer a broad spectrum of lumen output, ranging from a powerful 1000 to an impressive 9000 lumens. Whether you're navigating through challenging maritime conditions or seeking the perfect illumination for your vessel, Exposure Marine's lighting products are here to meet your needs, providing superior performance and reliability on the water.

The S series, with its linear design, provides a modern and minimalistic look, ideal for customers seeking a sleek and clean appearance. These lights may be suitable for those who prefer a contemporary style for their marine lighting.

Conversely the R series features lights with a circular design, offering a more classic, nautical feel. These lights may be popular among customers looking to enhance the traditional or ornamental aspects of their watercraft.

## KEY FEATURES:

- Completely waterproof
- Unmatched power-to-weight ratio
- Lightweight, high-efficiency design
- Exceptional durability
- CNC aerospace-grade aluminum body
- Marine-grade hard anodizing
- UV-stabilized PC lenses
- F1 rated lenses for UV and water exposure resistance
- Withstand extreme environments

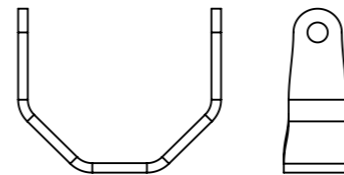
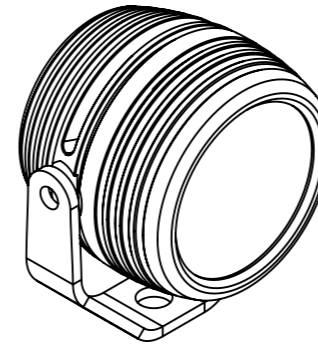
## LIGHTING OPTIONS:

- Wide-angle beam for cockpit and transom illumination
- Spotlight with a narrow lens pattern for mast-top and spot lighting

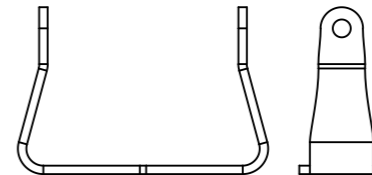
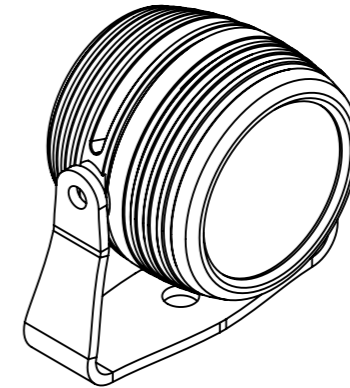


## MOUNTING OPTIONS:

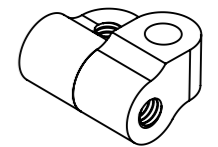
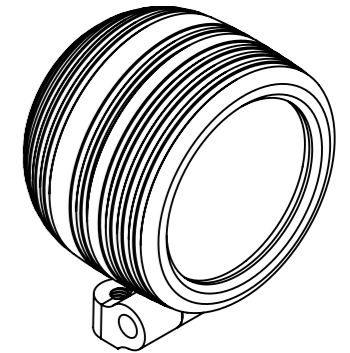
Stainless Steel 316 Narrow



Stainless Steel 316 Wide



Single Bolt



All Pre-wired with 2.5 meters of tinned twin-core marine cable

## R SERIES

Introducing the R range of marine lights, a game-changer in marine lighting. These compact powerhouses redefine efficiency, breaking free from oversized and inefficient marine lighting norms.



Product Code	Lumens	Beam Angle	Colour temperature	Operating voltage	Operating current at 12v	Operating current at 24v	Dimensions	Weight ex. cable (grams)	IP Rating
EM-R1	1000	16	5700k - Bright White	9-31	1.5	1	36x45mm	50	IP69K
EM-R1W	1000	40	5700k - Bright White	9-31	1.5	1	36x45mm	50	IP69K
EM-R3	3300	20	5700k - Bright White	9-31	3	1.4	46x45mm	112	IP69K
EM-R3W	3300	60	5700k - Bright White	9-31	3	1.4	46x45mm	112	IP69K
EM-R3SS	3300	20	5700k - Bright White	9-31	3	1.4	46x45mm	203	IP69K
EM-R3WSS	3300	60	5700k - Bright White	9-31	3	1.4	46x45mm	203	IP69K
EM-R4	4400	22	5700k - Bright White	9-31	3.8	1.8	55x50mm	152	IP69K
EM-R6	6600	25	5700k - Bright White	9-31	6.2	2.8	65x55mm	268	IP69K
EM-R8	9000	10	5700k - Bright White	9-31	8.5	3.8	100x65mm	458	IP69K
EM-R8W	9000	10x45	5700k - Bright White	9-31	8.5	3.8	100x65mm	440	IP69K

## S SERIES

Elevate your marine lighting experience with Exposures' S range of lights. Embrace the future of marine lighting with our compact, efficient, and durable lights that are built to withstand the most extreme conditions.



Product Code	Lumens	Beam Angle	Colour temperature	Operating voltage	Operating current at 12v	Operating current at 24v	Dimensions	Weight ex. cable (grams)	IP Rating
EM-S8S	6600	10	5700k - Bright White	9-31	8.5	3.8	225x43x40mm	437	IP69K
EM-S8	9000	10 hot spot, 45 wide	5700k - Bright White	9-31	8.5	3.8	225x43x40mm	437	IP69K
EM-S8W	9000	10 x 45 oval	5700k - Bright White	9-31	8.5	3.8	225x43x40mm	437	IP69K

# CONTACT

**Exposure Marine**

Bury Mill Farm

Bury

Pulborough

West Sussex

RH20 1NN

United Kingdom

**Tel** +44 (0)1798 839300

**Email** [info@use.group](mailto:info@use.group)

[www.exposuremarine.com](http://www.exposuremarine.com)

**Facebook** [@exp.marine](https://www.facebook.com/exp.marine)

**Instagram** [@exposure.marine](https://www.instagram.com/exposure.marine)

**LinkedIn** [@exposuremarine](https://www.linkedin.com/company/exposuremarine)